

SPECIFICATIONS

[General Specifications]

Model		NBM-D88NN	
Rated Voltage		24VDC	
Operating Voltage Range		Rated Voltage $\pm 10\%$	
Rated Current Consumption	Max.	0.6A	
Operating Ambient Temperature		0°C to +40 °C	
Operating Ambient Humidity		20-80% (No condensation)	
Storage Ambient Temperature		-20°C to +65°C	
Storage Ambient Humidity		Less than 80% (No condensation)	
Mounting Location		Indoors	
Mounting Direction		Upright	
Protection Rating		IP 20 (IEC 60529)	
Vibration Resistance		9.8m/s ² (IEC 60068-2-6)	
Mass (Tolerance $\pm 10\%$)		1.15 kg	
Outer Dimensions		Refer to the Outer Dimension Drawing	
Conformity Standards		RoHS Directive (EN 50581) FCC Part 15 Subpart B Class A CAN/CSA C22.2 UL/CSA 60950-1 EMC directive (EN 55032 (ClassA), EN 55024) KC(KN61000-6-4,KN61000-6-2)	
Communication Method		Ethernet (Conforms to the IEEE 802.3)	
	Physical Layer	10BASE-T/100BASE-TX (Auto-negotiation • Full Duplex/Half Duplex)	
	Data Link Layer	CSMA/CD	
	Network Layer	IP • ARP • ICMP	
	Transport Layer	TCP • UDP	
	Application Layer	HTTP • SNMP(V1,V2c) • RSH • SMTP • NTP POP3 • DNS • Socket(PHN • PNS) • DHCP	
Interface	USB Port	USB2.0/1.1 TYPE-A 1ch	
	Serial Port	RS232C D_SUB_9P(Used for expanding additional functions)	
Power Output		One screw Terminal Block 24VDC $\pm 10\%$, maximum 200mA	
Digital Output		Non-voltage contact output; "A" contact (setup can be changed for "B" contact)	
	Number of Contacts	8	
Contact Capacity	Ports 1 to 7	(30V DC @ 3A) inrush current under 5A Minimum (1mA, 5VDC,Reference)	
	Port 8	(30V DC @ 3A) inrush current under 78A (TV-5 rating) Minimum (5V DC, 10mA) *	
Wire Diameter		Solid Wire: $\phi 0.4-1.2\text{mm}$ (AWG26-16) /Stranded Wire: $0.2-1.25\text{mm}^2$ (AWG24-16)	
Wiring Method		Screwless Terminal Block	
Digital Input		Non-voltage Contact	
	Number of Contacts	8	
Transistor Input		NPN Transistor	
Contact Capacity		Output "ON" current @ 6mA or less per channel. Terminal OFF condition Voltage: 24V	
Wire Diameter		Solid Wire: $\phi 0.4-1.2\text{mm}$ (AWG26-16) /Stranded Wire: $0.2-1.25\text{mm}^2$ (AWG24-16)	
Wiring Method		Screwless Terminal Block	

No.NBM-D88NN-W18A-1_4

PATLITE Corporation

Input Reaction Time	110msec or more
Output Response Time	200msec or less
Display Part	18 green LED (power, status, DO x8 Contacts, DI x8 Contacts)
Operation Part	"Select" Switch, "Reset" Switch, "Clear" Button, "Mode" Switch
Accessory	Rubber Feet
Optional Parts	Server Rack Mounting Bracket (NBM-ANG)
Remarks	Conforms to the CE requirements When connecting a product with a large inrush current, such as a revolving light etc., wire it to output terminal Port 8.

[Functional Specifications]

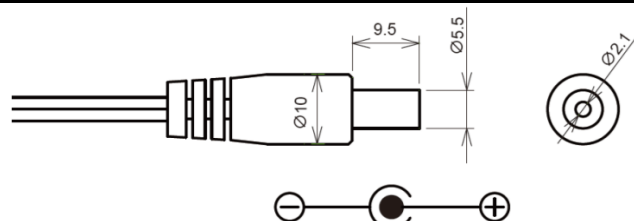
The contact output of this product is controlled by contact input information, or by software commands. Moreover, when abnormalities occur, the NBM can control contact output and command transmissions with its network monitoring function.

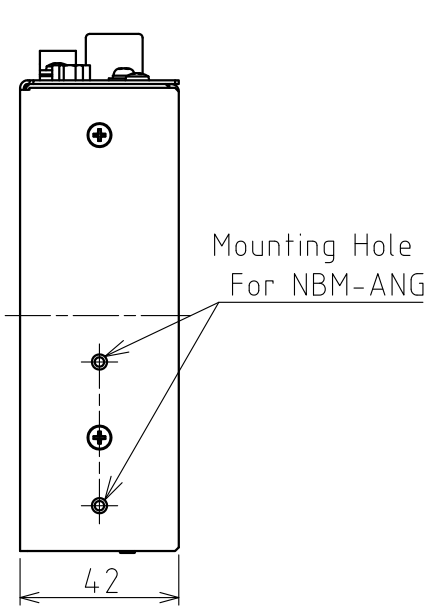
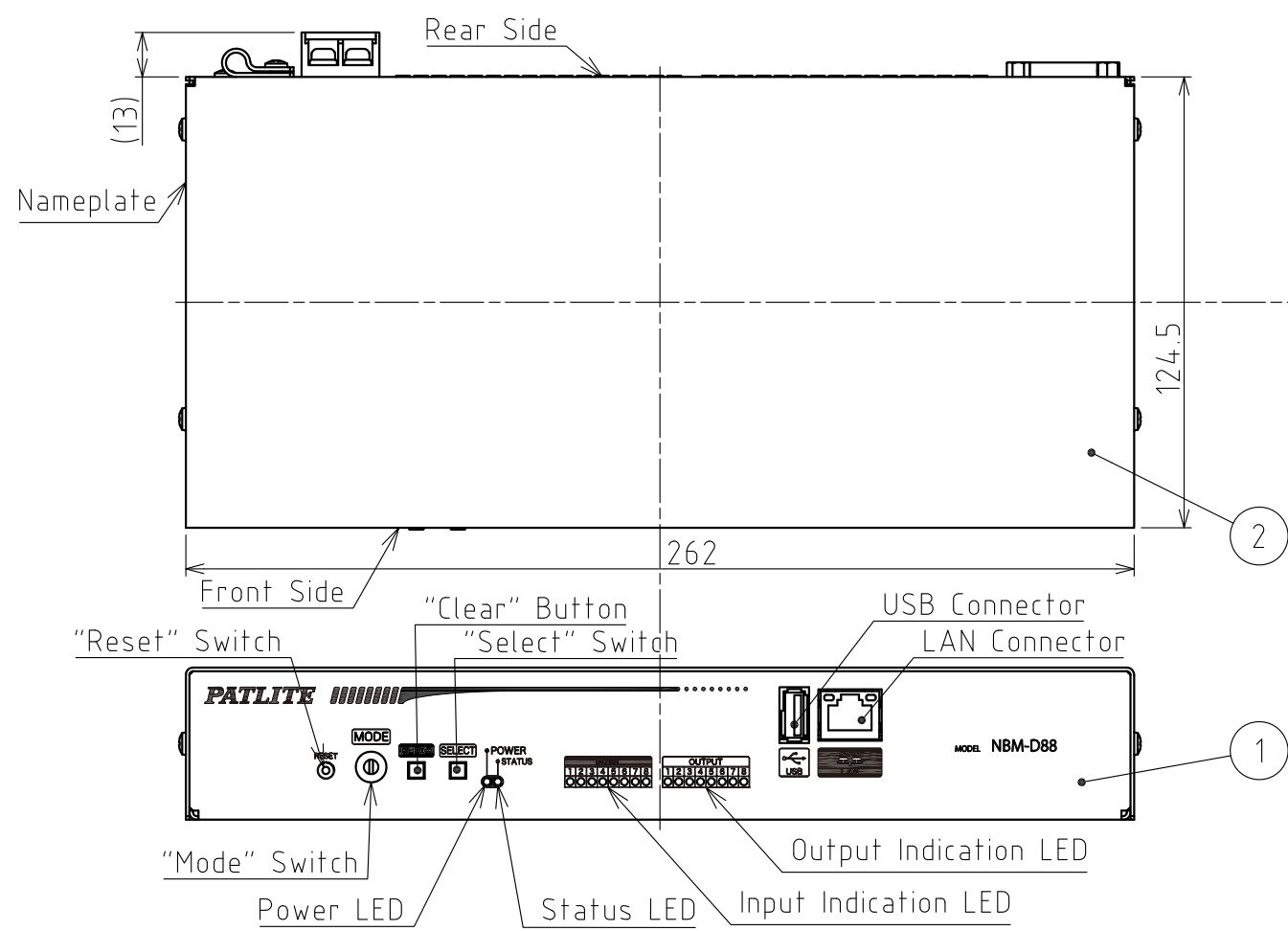
Digital Output	External instruments are connected and the contacts are controlled for ON/OFF outputs.
Digital Input	The status condition of a non-voltage contact input can be detected. When detection occurs, the following operations will be executed: Digital Output ON/OFF, RSH Command Transmission, PNS/PHN Socket Transmission, E-mail Transmission, SNMP TRAP Transmission
"CLEAR" Button	When pressing the "Clear" button, the following actions are executed: Digital output ON/OFF (a default is turned off), E-mail transmission, RSH command transmission, PNS/PHN socket transmission, SNMP TRAP transmission
"Reset" Switch	The product is rebooted.
TRAP Transmission	An SNMP TRAP (V2C) is sent when an event occurs.
TRAP Reception	When an SNMP TRAP is received, the following operations are executed: Digital Output ON/OFF, RSH Command Transmission, PNS/PHN Socket Transmission, E-mail Transmission, SNMP TRAP Transmission
E-mail Transmission	Sends an E-mail when an event occurs. (up to 8 addresses).
RSH Command Transmission	Sends an RSH command when an event occurs.
RSH Command Reception	When an RSH command is received from an external device, it controls the ON/OFF of the digital output and acquires the contact status.
Socket Reception	When receiving a PNS or PHN command, it controls the ON/OFF of the digital output and acquires the contact status.
Socket Transmission	When an event occurs, it sends a PNS or PHN command.
Test Function	The RSH command for checking operation. The Digital Output operates in sequential order.
Ping Monitoring	The PING Command is sent to an external device to check its connection status. (Max. 24)
Application Monitor	The operation status of a working application to an external device can be checked.
Data Log	A status log and operation log are saved. (Transmission to syslog server / Save to USB memory)
SNMP SET/GET	The digital output can be controlled, contact information can be acquired, traps can be sent and received. (MIB file application) (V1, V2C)
Time Correction	Automatically correct time (register and connect to an NTP server) The time correction is reflected on the PC.
"Select" Switch	The operation for each mode can be determined.
Web Setup Tool	The tool necessary for making various settings on the WEB screen.
PNS/PHN Series Control Function	Remote control of NHL Series and PHN series with Socket Communication and PNS/PHN control signal.
No.NBM-D88NN-W18A-2_4	

Xml Function	Obtain the data for the Input/Output contact status in xml format.
PNS Manager Function	It corresponds to the PNS manager (Network Setup Application).
Initialization Function	=Web Setup Tool= Factory default. Initialization other than Network Setup. = "Mode" Switch = Network Setup initialization. Factory default. Password initialization.
Mode Change	Change to the following mode with the "Mode" Switch. 0. Normal Mode 1. Configuration Download Mode 2. Configuration Upload Mode 3. Network Setting Initialization Mode 4. Factory Default Mode 5. Reserved 6. Firmware Update Mode 7. Password Initialization Mode 8. Reserved 9. Reserved * Initialization : Return to factory default setup.
Configuration Data Setup	Save / write setting information with Web setup tool and USB memory.
"A" Contact/"B" Contact Changeover	The Web Setup Tool can be used to logically set between the "A" contact or "B" contact.
Contact Status Display	The contact status is displayed on the WEB screen.
USB	Log data can be stored onto USB memory (storage place can be changed to internal memory or USB memory). Update firmware onto USB memory Upload/download Configuration data
Firmware Update	Update using the Web Setup Tool Update using a USB memory
Digital Input Condition Setup	Setup the digital input detection method to the following method. AND detection: It detects when specified multiple digital inputs turn ON. Number of Detection Times: Detects when the digital input is turned ON for the specified number of times. Continued Detection Duration: Detects when the digital input continues to be ON for the specified time.

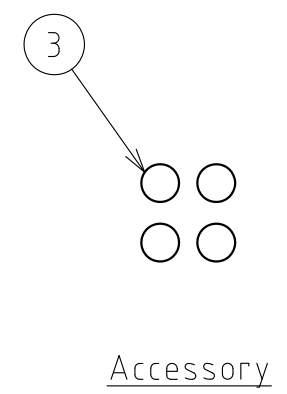
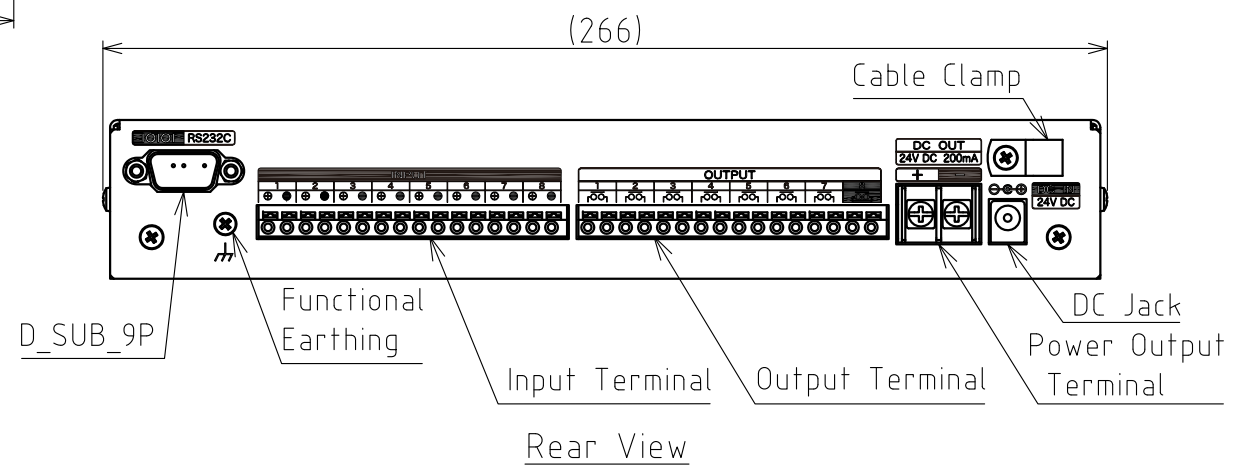
[Recommended AC Adaptor Specifications]

DC Output	Voltage	24V DC \pm 5%
	Current	0.75A to 1A max.
	Plug Length	9.5mm or more
	Plastic Housing	10mm dia. or less
	Plug Connector Outer Diameter	5.5mm dia.
	Plug Connector Inner Diameter	2.1mm dia.





Please use Server Rack Mounting Bracket(NBM-ANG) to install at Server Rack (19 inches).



3	Rubber Feet		4		
2	Cover		1	SECC Offwhite	
1	Case		1	SECC Offwhite	
番号 No.	部品名 Part Name	品目コード Part No.	数量 Qty.	材料 & 寸法 & 処理 Material & Size & Finish	記事 Remarks

外観図面
Outer Dimension Drawing
株式会社 パトライト
PATLITE Corporation
NBM-D88NN-W18A-4_4